



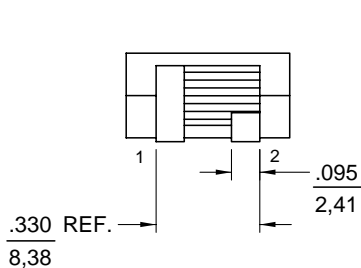
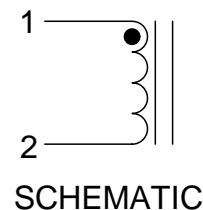
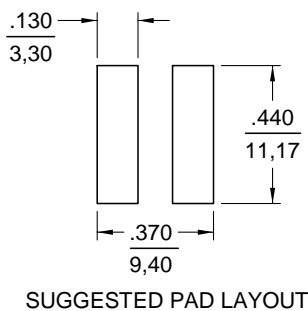
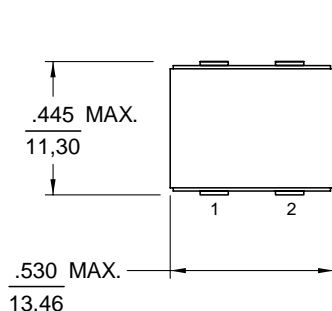
### SMD INDUCTOR DR77194

- Height: 6.98mm Max
- Footprint: 10.80mm x 13.20mm Max
- Current Rating: 27A
- Operating Temperature -20°C to +85°C
- Tinned Leads with Lead Solder is Available (note 2)

### ELECTRICAL SPECIFICATIONS AT 25°C

INDUCTANCE (1-2) @ 10kHz, 0.1 Vrms	.56μH ±10%
INDUCTANCE WITH 27 ADC BIAS (1-2) @ 10kHz, 0.1 Vrms	.42μH MIN.
DCR (1-2)	0.002Ω MAX
HIPOT WINDING TO CORE	300 VDC

### OUTLINE SPECIFICATIONS



Notes:

1. Tolerance: Unless otherwise specified, inches/mm = ± 0.010/0,25
2. For non-RoHS parts replace DR prefix with 42- (e.g. DR77194 becomes 42-77194)
3. Terminal finish is compliant to RoHS requirements. Solder in accordance with J-STD-020C