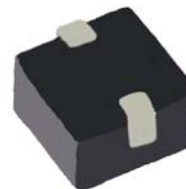


SMD INDUCTOR DR356-5 SERIES

Features

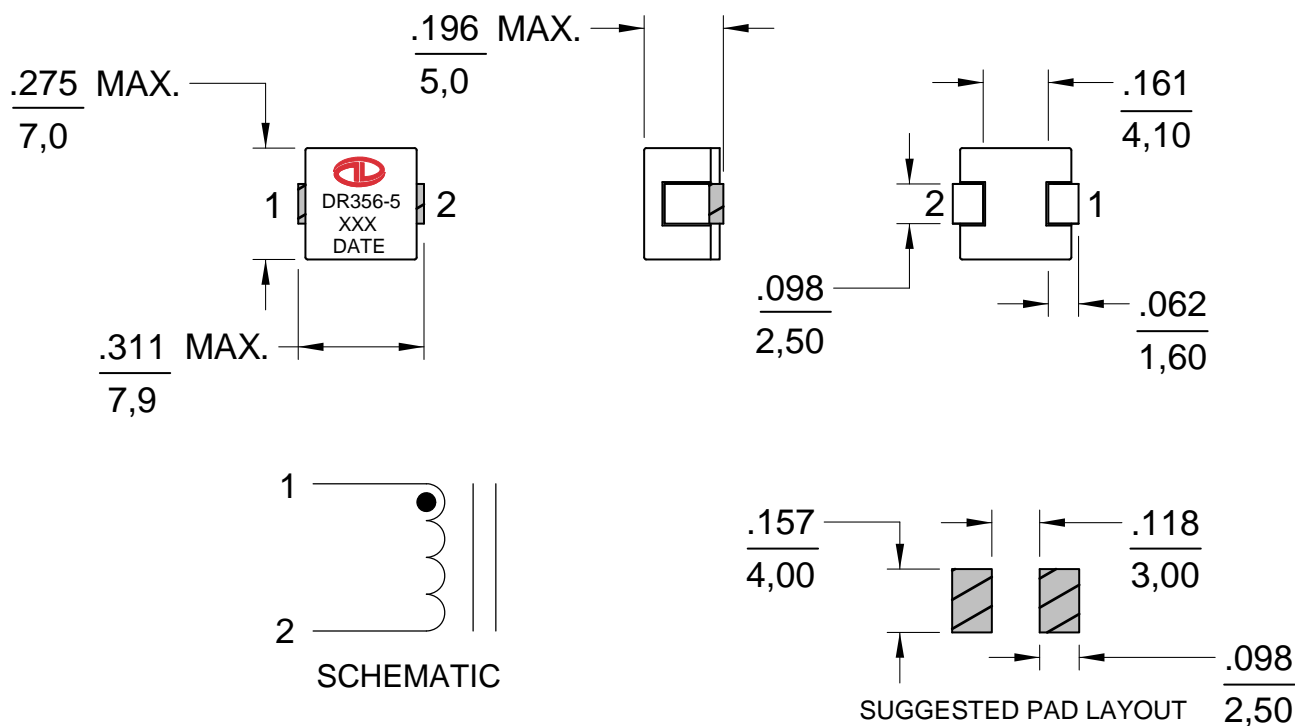
- Height: 5.0mm Max
- Frequency Range: 10kHz to 2MHz
- Operating Temperature: -40°C to +155°C
- Inductance Range: 0.68μH to 1.5μH
- Tinned Leads with Leaded Solder is Available (note 4)



Electrical Specifications @ 25°C

PART NUMBER	INDUCTANCE (μH) 0.1V @ 100kHz	DCR (mΩ) Max.	Isat (A) Typ. L Drop 10%	Isat (A) Typ. L Drop 15%	Irms (A) Max. See Note 2
DR356-5-681	0.68 ± 20%	3.2	10	14	12
DR356-5-102	1.0 ± 20%	4.0	8.5	11	11
DR356-5-152	1.5 ± 20%	4.5	7.0	9.0	10

MECHANICAL SPECIFICATIONS



NOTES:

1. Dimensions are shown in inches/millimeters
Unless otherwise specified, tolerance = Inches: ±0.010
= Millimeters: ±0,25
2. Temperature rise of 40°C @ Irms
3. Tape & Reel Packaging, 1000 pieces per reel.
4. For non-RoHS parts replace DR prefix with 42- (e.g. DR356-5 becomes 42-356-5)
5. Terminal finish is compliant to RoHS requirements. Solder in accordance with J-STD-020D