

SHIELDED SMD INDUCTOR DR358-4 SERIES

Features

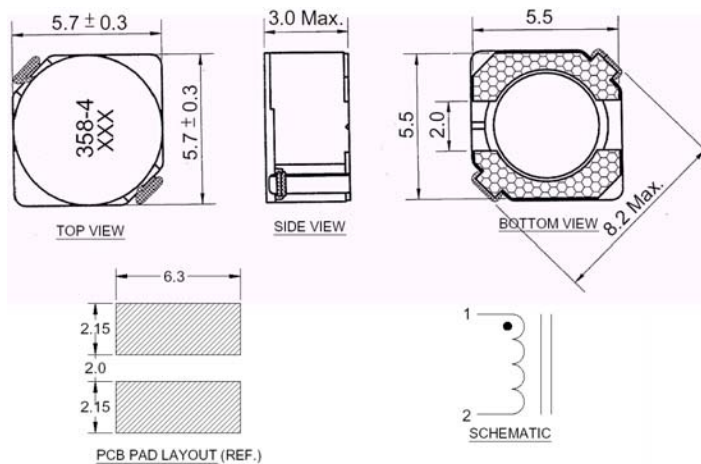
- Low Profile Surface Mount Design
- Flat Top for Pick and Place
- Inductance Range from 2.6 μ H to 100.0 μ H
- Operating Temp. -20°C to +80°C
- Tinned Leads with Leaded Solder is Available (note 7)



ELECTRICAL SPECIFICATIONS AT 25°C

Part No.	Inductance (μ H) \pm 30%	DCR (Ω) Max.	I rated (A) Max.
DR358-4-262	2.6	0.018	2.60
DR358-4-302	3.0	0.024	2.40
DR358-4-422	4.2	0.031	2.20
DR358-4-532	5.3	0.038	1.90
DR358-4-622	6.2	0.045	1.80
DR358-4-822	8.2	0.053	1.60
DR358-4-103	10.0	0.065	1.30
DR358-4-123	12.0	0.076	1.20
DR358-4-153	15.0	0.103	1.10
DR358-4-183	18.0	0.110	1.00
DR358-4-223	22.0	0.122	0.90
DR358-4-273	27.0	0.175	0.85
DR358-4-333	33.0	0.189	0.75
DR358-4-393	39.0	0.212	0.70
DR358-4-473	47.0	0.260	0.62
DR358-4-563	56.0	0.305	0.58
DR358-4-683	68.0	0.355	0.52
DR358-4-823	82.0	0.463	0.46
DR358-4-104	100.0	0.520	0.42

MECHANICAL OUTLINES



Notes:

1. All dimensions are shown in millimeter "mm"
2. General tolerance \pm 0.2mm, unless other specified
3. Inductance Test: 100kHz, 0.1Vrms
4. I_{rated} for an approximate 40°C temperature rise
5. I_{rated} for an approximate 35% drop maximum of the initial value
6. Tape and reel quantity, 2000 pcs/reel
7. For non-RoHS parts replace DR prefix with 42- (e.g. DR358-4 becomes 42-358-4)
8. Terminal finish is compliant to RoHS requirements. Solder in accordance with J-STD-020D