

## SMD INDUCTOR DR331-1 SERIES

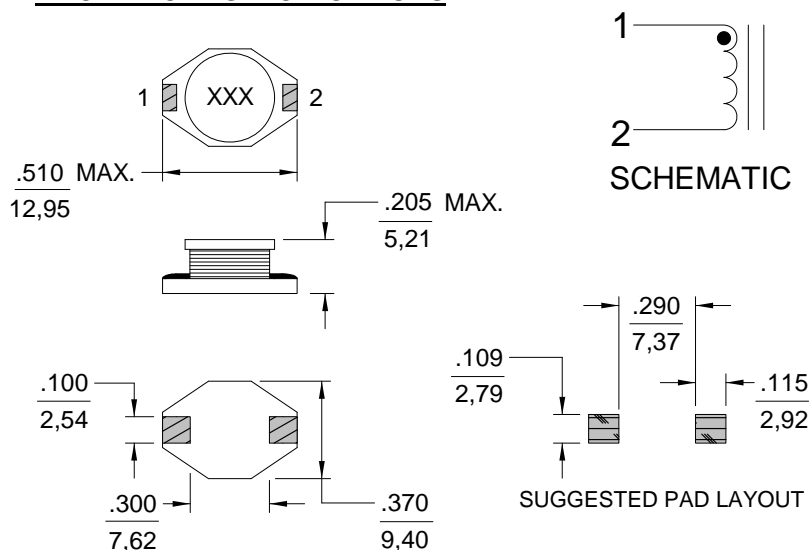
### Features

- Low Profile Surface Mount Design
- Inductance Range from 1.0 $\mu$ H to 1000 $\mu$ H
- Operating Temp. -40°C to +85°C
- Tinned Leads with Leaded Solder is Available (note 8)

### ELECTRICAL SPECIFICATIONS AT 25°C

Part No.	Inductance ( $\mu$ H) $\pm$ 20%	DCR ( $\Omega$ ) Max.	I rms (A) Max. (Note 3)	I sat (A) Max. (Note 2)	SRF (MHz) REF.
DR331-1-102	1.0	0.009	6.80	9.0	100.0
DR331-1-152	1.5	0.010	6.40	8.0	90.0
DR331-1-222	2.2	0.012	6.10	7.0	80.0
DR331-1-332	3.3	0.015	5.40	6.4	65.0
DR331-1-472	4.7	0.018	4.80	5.4	45.0
DR331-1-682	6.8	0.027	4.40	4.6	38.0
DR331-1-103	10	0.038	3.90	3.8	30.0
DR331-1-153	15	0.046	3.10	3.0	27.0
DR331-1-223	22	0.085	2.70	2.6	19.0
DR331-1-333	33	0.10	2.10	2.0	15.0
DR331-1-473	47	0.14	1.80	1.6	12.0
DR331-1-683	68	0.20	1.50	1.4	10.0
DR331-1-104	100	0.28	1.30	1.2	9.0
DR331-1-154	150	0.40	1.00	1.0	6.0
DR331-1-224	220	0.61	0.80	0.8	5.0
DR331-1-334	330	1.02	0.60	0.6	4.5
DR331-1-474	470	1.27	0.50	0.5	3.5
DR331-1-684	680	2.02	0.40	0.4	2.5
DR331-1-105	1000	3.00	0.30	0.3	2.0

### MECHANICAL SPECIFICATIONS



### NOTES:

1. Dimensions are shown in inches/millimeters  
Unless otherwise specified, tolerance  
= Inches:  $\pm 0.010$   
= Millimeters:  $\pm 0.30$
2. Isat based on the inductance being 90% of its initial value
3. I rms based on temperature rise of 40°C
4. Tape & Reel Packaging, 500 pcs / reel.
5. Inductance tested at 0.1 Vrms @ 100 kHz
6. Terminal finish is compliant to RoHS requirements
7. Solder in accordance with J-STD-002 Rev. D
8. Non-RoHS series parts 42-331-1-XXX are finished with leaded solder Sn60Pb40 or equivalent